

SM 28

SPEEDMOUNT TWO-WAY SURFACE MOUNT SPEAKERS WITH 8" WOOFER

SPEED MOUNT



The Extron SM 28 is a two-way surface mount speaker that delivers accurate voice and detailed music reproduction. This speaker is ideally suited for classrooms, conference rooms, exercise facilities, and retail spaces, and is designed for fast and easy installation with the Extron-exclusive patent pending, concealed mounting system.

- ▶ Patent pending, concealed mounting system
- ▶ Included 0° mounting plate and 10° mounting adapter provide flexible installation options
- ▶ Designed to accommodate division-of-labor installations
- ▶ 1.1" (2.8 cm) silk dome tweeter
- ▶ 8" (20.3 cm) long-throw woofer with dual tuned bass reflex ports
- ▶ Two versions available for low impedance or 70/100 volt systems:
 - 8 ohm direct operation only
 - 8 ohm direct and 70/100 V operation
- ▶ Convenient six-position, through-the-grille power tap selector on the SM 28T
- ▶ Optional yoke mount
- ▶ Frequency range: 59 Hz to 22 kHz
- ▶ 90 watts continuous pink noise, 180 watts continuous program
- ▶ Hidden locking speaker release mechanism
- ▶ Black or white high-impact enclosure
- ▶ 5 year parts and labor warranty



Extron Electronics
INTERFACING, SWITCHING AND CONTROL

DESCRIPTION

The Extron **SM 28** SpeedMount® Surface Mount Speaker is a two-way speaker with a patent pending, concealed wall mounting system. It features an 8" (20.3 cm) woofer with dual tuned ports and a 1.1" (2.8 cm) tweeter. The SM 28 provides a frequency range from 59 Hz to 22 kHz, and a power rating of 90 watts continuous pink noise, 180 watts continuous program capacity. The Extron-exclusive mounting system is designed to accommodate division-of-labor installations and save costs. The SM 28 is available as an 8 ohm model, and an SM 28T version which can operate in 8 ohm direct as well as 70 volt and 100 volt modes. The SM 28T features a six-position power tap selector for up to 64 watts, which can conveniently be accessed through the grille from outside the speaker.

The innovative mounting system allows the SM 28 to slide onto the mount and lock into place. In the same installation step, the integrated electrical contacts on the speaker automatically mate with the pre-wired contacts on the mounting plate to speed up and simplify installation.

The SM 28 saves time and installation costs for AV system contractors working with low-voltage contractors in a division-of-labor installation. During rough-in, a low-voltage contractor installs the mounting system on the wall and terminates the speaker cable to the mount's integrated wiring contacts. Later, the AV system contractor completes the installation by sliding the SM 28 onto the mount.

KEY FEATURES

- ▶ **Patent pending, concealed mounting system** – One installation step connects the speaker to the wiring contacts, and secures it into place.
- ▶ **Includes 0° mounting plate and 10° mounting adapter** – Four position 10° mounting adapter attaches to 0° mounting plate, and provides flexibility for vertical or horizontal speaker installation with 10° of tilt downward, upward, left, or right.
- ▶ **Designed to accommodate division-of-labor installations and save costs**
- ▶ **1.1" (2.8 cm) silk dome tweeter**
- ▶ **8" (20.3 cm) long-throw woofer with dual tuned bass - reflex ports**
- ▶ **Two versions available:**
 - 8 ohm direct operation only
 - 8 ohm direct and 70/100 volt operation
- ▶ **Convenient six-position, through-the-grille power tap selector on the SM 28T:**
 - 70 V: 64 W, 32 W, 16 W, 8 W, Off, 8 ohms direct
 - 100 V: null, 64 W, 32 W, 16 W, Off, 8 ohms direct
- ▶ **Optional yoke mount allows 180° of speaker pivot in 10° detented steps, part #70-994-02 and 70-994-03**
- ▶ **Frequency range: 59 Hz to 22 kHz**
- ▶ **90 watts continuous pink noise, 180 watts continuous program**

KEY FEATURES (Cont.)

- ▶ **Internal driver overload protection**
- ▶ **Hidden locking speaker release mechanism**
- ▶ **Mounting plate provides cable raceway access for surface-mounted wiring applications**
- ▶ **Black or white high-impact enclosure**

SPECIFICATIONS

AUDIO/ACOUSTIC AND ELECTRICAL		
Speaker type	2-way, full range, indoor surface mount speaker	
Frequency range	59 Hz to 22 kHz, -10 dB, full space (per IEC 60268-5)	
Frequency response	67 Hz to 17.5 kHz, +/- 3 dB full space	
Power capacity	90 W (rms) continuous pink noise (per IEC 60268-5) 180 W (rms) continuous program	
Nominal sensitivity	87 dB SPL, 1 W, 1 m, full space (per IEC 60268-5, 60 Hz to 20 kHz)	
Nominal impedance	8 ohms	
Rotary switch taps (SM 28T only)	70 V: 64 W, 32 W, 16 W, 8 W, Off, 8 ohms direct 100 V: null, 64 W, 32 W, 16 W, Off, 8 ohms direct	
Woofer	(1) 8" (203.2 mm) polypropylene cone	
Tweeter	(1) 1.1" (28 mm) silk dome	
Overload protection	Full range power limiter protecting the tweeter, woofer, and crossover	
Input connectors		
Mounting plate	(1) Euro-style captive screw terminal block, 4 pole	
GENERAL		
Package	2 speakers (1 pair) with mounting kit package	
Mounting	Wall mountable with included mounting plates	
0° mounting plate	Fixed 0°	
10° mounting adapter	Fixed 10° up, down, left, or right, based on orientation of adapter	
Yoke mount (optional)	Up to 90° upward/downward or left/right, in 10° steps based on orientation of yoke	
Enclosure type	Plastic, trapezoidal, with molded grille and bass reflex ports	
Enclosure outer dimensions		
Speaker only	16.50" H x 11.50" W x 7.28" D (41.91 cm H x 29.21 cm W x 18.49 cm D)	
With 0° mounting plate	16.50" H x 11.50" W x 7.80" D (41.91 cm H x 29.21 cm W x 19.81 cm D)	
With 0° mounting plate attached to 10° mounting adapter	Orientation: vertical, angled 10° down 16.78" H x 11.50" W x 10.16" D (42.63 cm H x 29.21 cm W x 25.81 cm D)	
Product weight		
SM 28		
Speaker only	10.1 lbs (4.6 kg) each	
With 0° mounting plate	10.9 lbs (5.0 kg) each	
SM 28T		
Speaker only	12.0 lbs (5.4 kg) each	
With 0° mounting plate	12.8 lbs (5.8 kg) each	
Regulatory compliance		
Safety/EMI	CE	
Environmental	Complies with the appropriate requirements of RoHS and WEEE.	
Warranty	5 years parts and labor	
Model	Version Description	Part number
SM 28	8 ohm - Black, Pair	60-1309-02
SM 28	8 ohm - White, Pair	60-1309-03
SM 28T	Transformer - Black, Pair	60-1302-12
SM 28T	Transformer - White, Pair	60-1309-13
Yoke Mount	Yoke Mount for SM 28, Pair - Black	70-994-02
Yoke Mount	Yoke Mount for SM 28, Pair - White	70-994-03

For complete specifications, please go to www.extron.com
Specifications are subject to change without notice.

SPEEDMOUNT SPEAKER INSTALLATION

SPEED MOUNT

The unique mounting system of the SM 28 SpeedMount speaker greatly simplifies installation of surface mount speakers, and saves considerable time and cost in labor. A mounting plate is installed at a designated wall location for an SM 28. Speaker cable is terminated to wiring contacts on the plate. All that is left is to slide the speaker onto the mount. In one sliding motion, the SpeedMount speaker is positioned into place and automatically mated with the mount's wiring contacts.

STEP 1

Pull speaker wire.



STEP 2

Attach plate to wall or stud, and connect speaker wire to contacts on plate. The SM 28 includes a 0° mounting plate and a 10° mounting adapter.



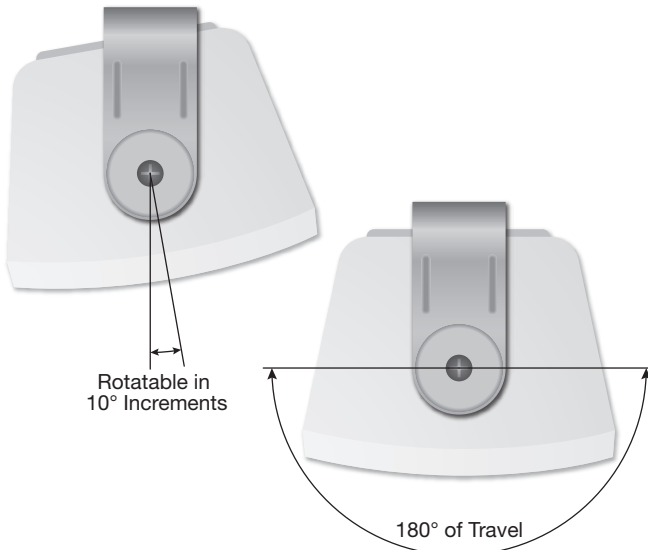
STEP 3

Simply slide speaker onto plate. Speaker may be locked into place with a unique key.



Optional Yoke Mount Installation

A yoke mount is available as an optional accessory for the SM 28. It allows for vertical or horizontal speaker mounting on a wall, or on a ceiling, with 180° of pivot available in 10° detented steps. The detents allow a consistent pivot angle to be set for multiple speakers. Yoke mounts are available in black or white to match the SM 28 speaker.

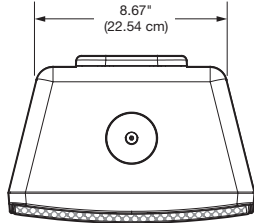


Fast and Easy Power Tap Selection

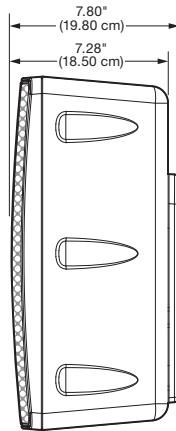
SM 28T models include a power tap selector that can be accessed right through the front grille from outside the speaker. This convenient feature further simplifies and speeds up installation, especially when setting up a large number of SM 28T speakers for 70 or 100 volt operation.



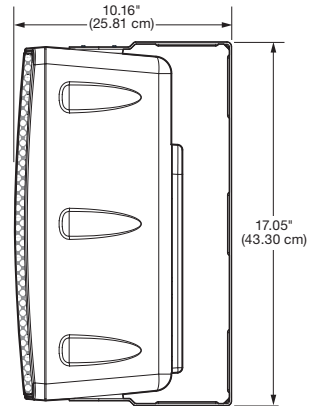
PANEL DRAWINGS



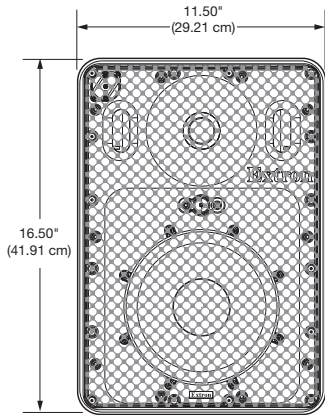
Top



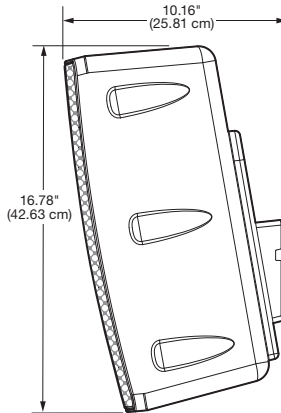
Side View with 0 Degree Mount



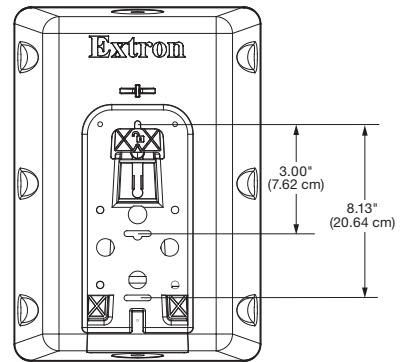
Side View with Yoke Mount



Front



Side View with 10 Degree Adapter



Rear

WORLDWIDE SALES OFFICES

Anaheim • Raleigh • Silicon Valley • Dallas • New York • Washington, DC • Toronto • Mexico City
 Paris • London • Frankfurt • Stockholm • Amersfoort • Moscow • Dubai • Johannesburg • Tel Aviv
 Sydney • Melbourne • New Delhi • Bangalore • Singapore • Seoul • Shanghai • Beijing • Tokyo

www.extron.com